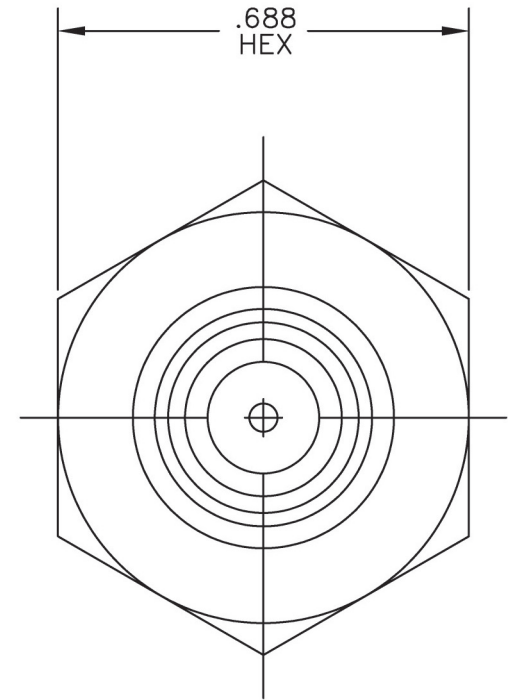
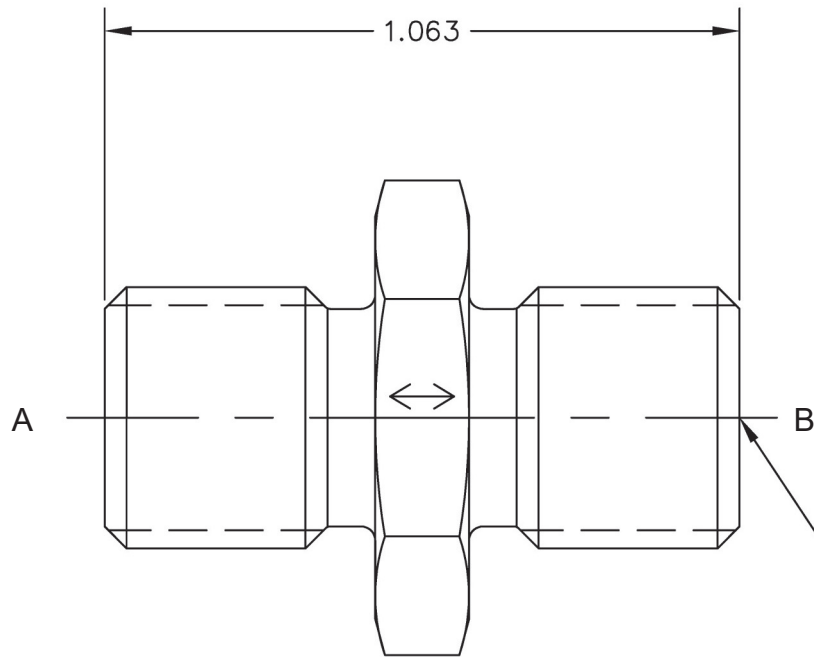




PART NUMBER: 9R4138 RESTRICTOR VALVE, TWO-WAY, UNFILTERED



BOTH FITTING ENDS
PER AS33514E04
EXCEPT AS SHOWN

PERFORMANCE SPECIFICATIONS:

FLUIDS: ANY AIRCRAFT FLUIDS OR AIR

MATERIAL: BODY 304 CRES

TEMPERATURE RANGE: -65°F TO 275°F

OPERATING PRESSURE: 3000 PSIG

PROOF PRESSURE: 4500 PSIG

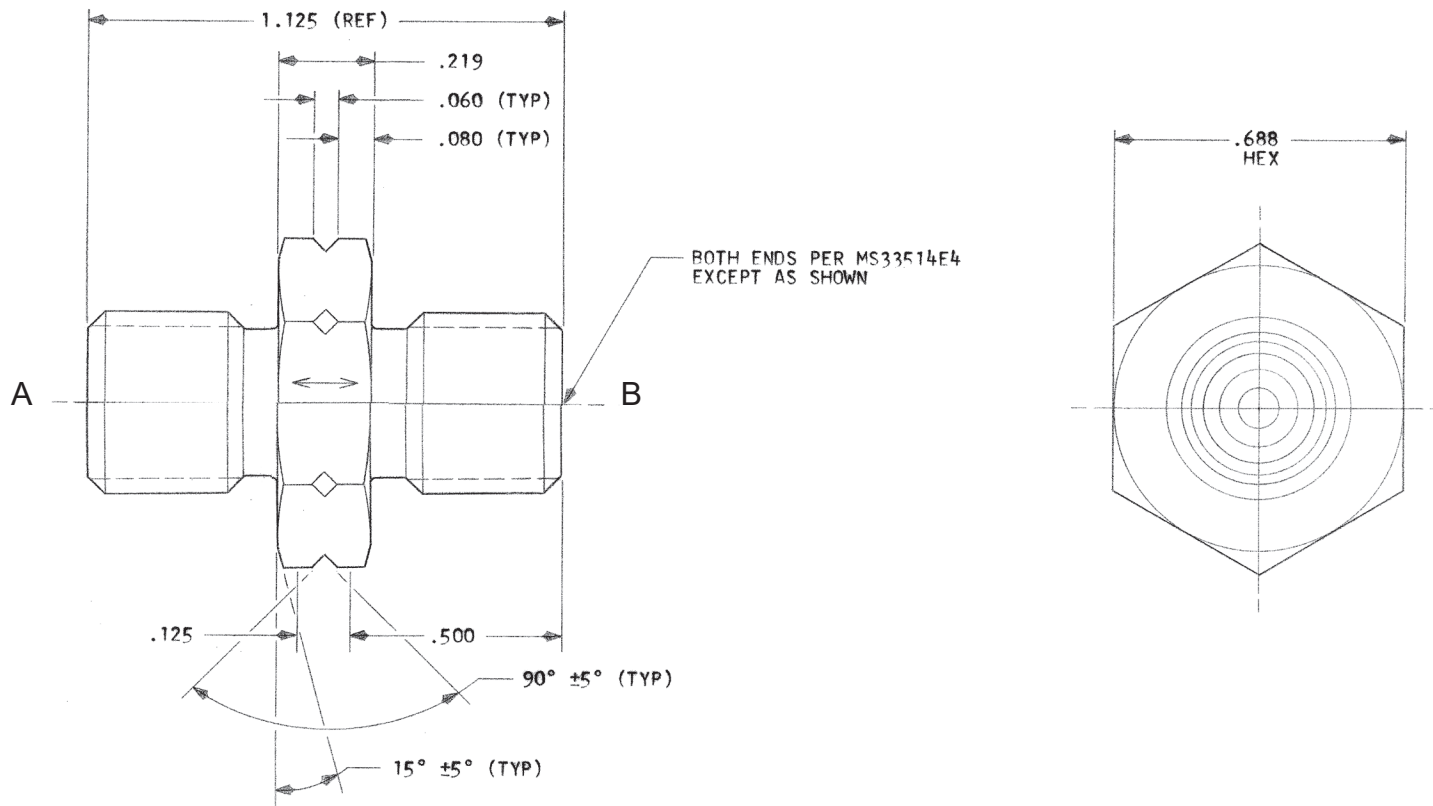
WEIGHT: 0.045 LBS MAX

HYDRAULIC SCHEMATIC





PART NUMBER: 9R3372 RESTRICTOR VALVE, TWO-WAY, UNFILTERED



PERFORMANCE SPECIFICATIONS:

FLUIDS: ANY AIRCRAFT FLUIDS OR AIR

MATERIAL: BODY 17-4PH CRES

TEMPERATURE RANGE: -65°F TO 225°F

OPERATING PRESSURE: 3000 PSIG

PROOF PRESSURE: 4500 PSIG

FLOW: 10.5 ± 10% GPM AT 3000 PSID (.101 DIA REF)

HYDRAULIC SCHEMATIC



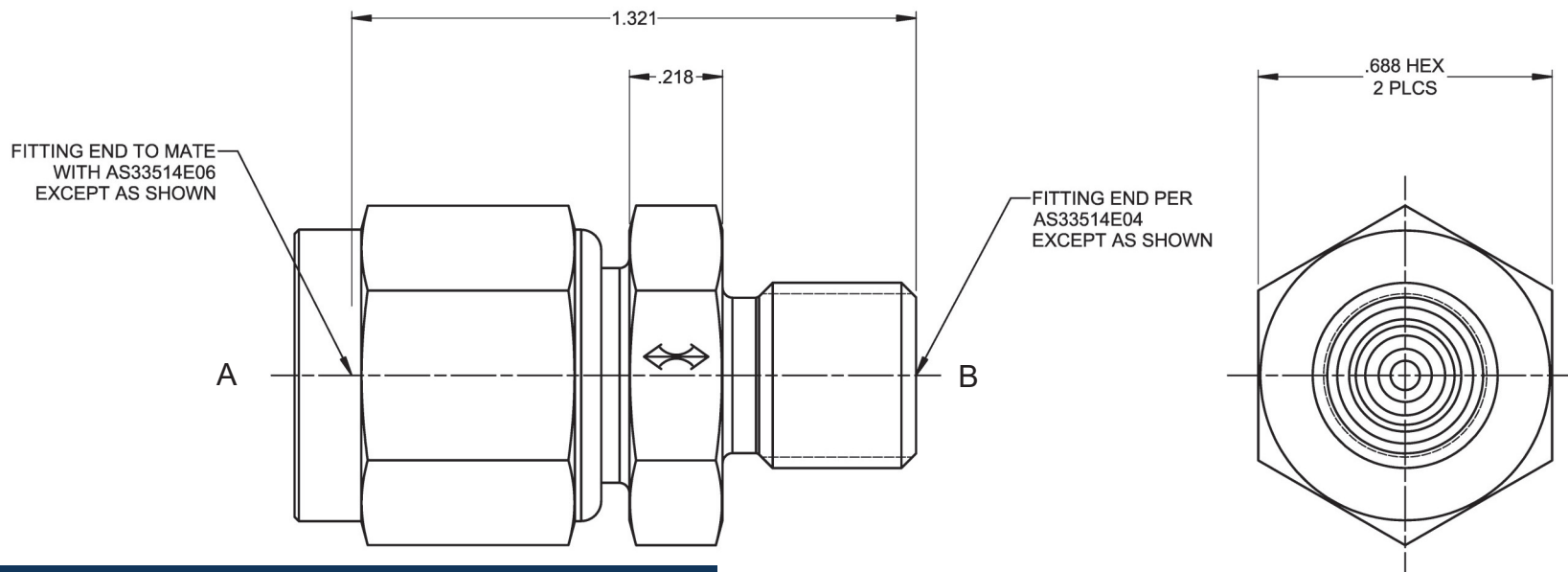
CATEGORY 3: TWO-WAY RESTRICTOR VALVES UNFILTERED



PART NUMBER: 9R4130 RESTRICTOR VALVE, TWO-WAY, UNFILTERED



ISOMETRIC VIEW
FOR REFERENCE ONLY



PERFORMANCE SPECIFICATIONS:

FLUIDS: ANY AIRCRAFT FLUIDS OR AIR

MATERIAL: BODY 15-5PH CRES

TEMPERATURE RANGE: -65°F TO 275°F

OPERATING PRESSURE: 3000 PSIG

PROOF PRESSURE: 4500 PSIG

FLOW: 5.0 ± 10% GPM AT 2950 PSID (Ø.069 ORIFICE)

WEIGHT: 0.099 LBS MAX

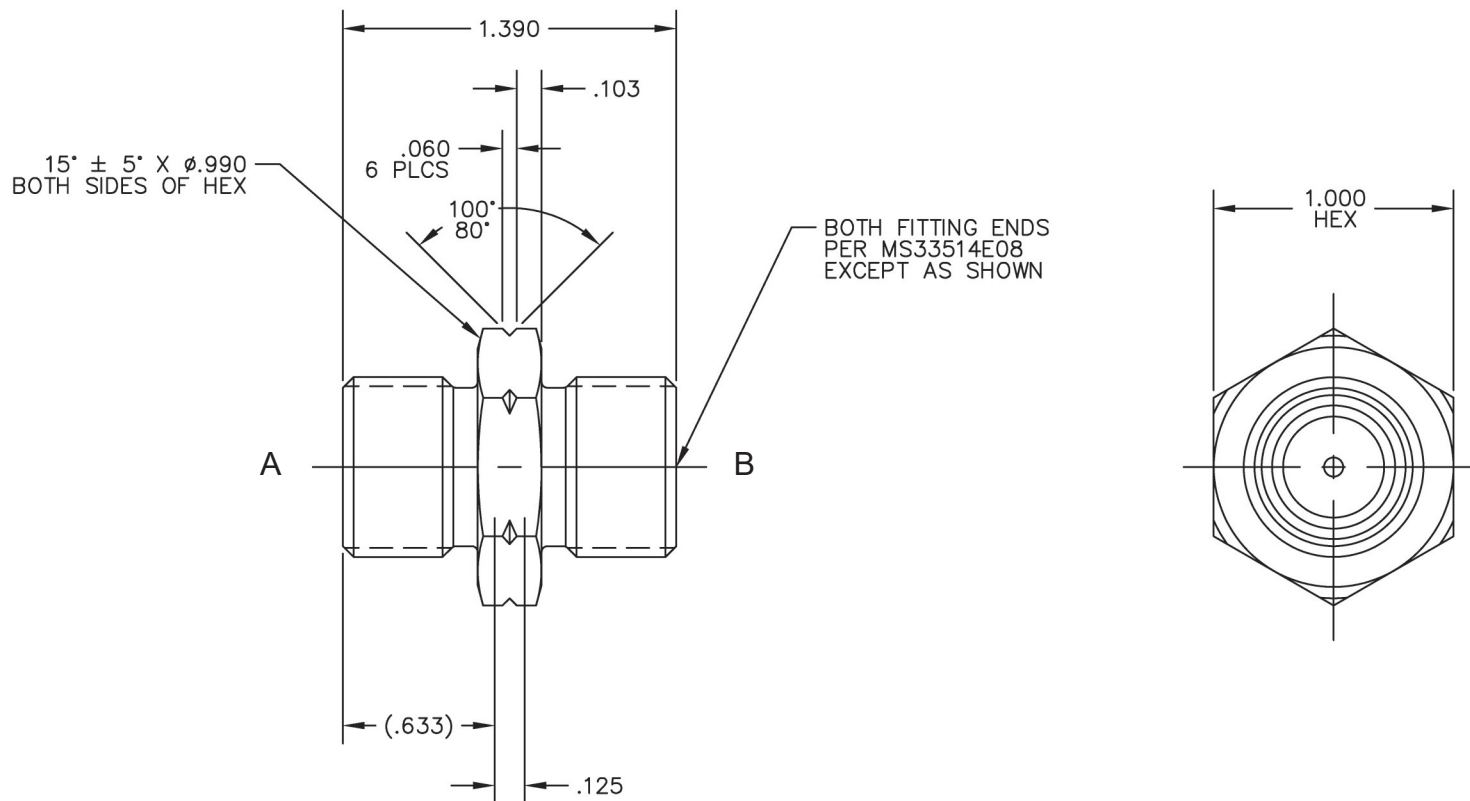
HYDRAULIC SCHEMATIC



CATEGORY 3: TWO-WAY RESTRICTOR VALVES UNFILTERED



PART NUMBER: 9R3688 RESTRICTOR VALVE, TWO-WAY, UNFILTERED



PERFORMANCE SPECIFICATIONS:

FLUIDS: ANY AIRCRAFT FLUIDS OR AIR

MATERIAL: BODY 17-4PH CRES

TEMPERATURE RANGE: -65°F TO 225°F

OPERATING PRESSURE: 3000 PSIG

PROOF PRESSURE: 4500 PSIG

FLOW: 5.31 ± 5% GPM AT 1400 PSID (Ø.081 ORIFICE)

WEIGHT: 0.16 LBS MAX

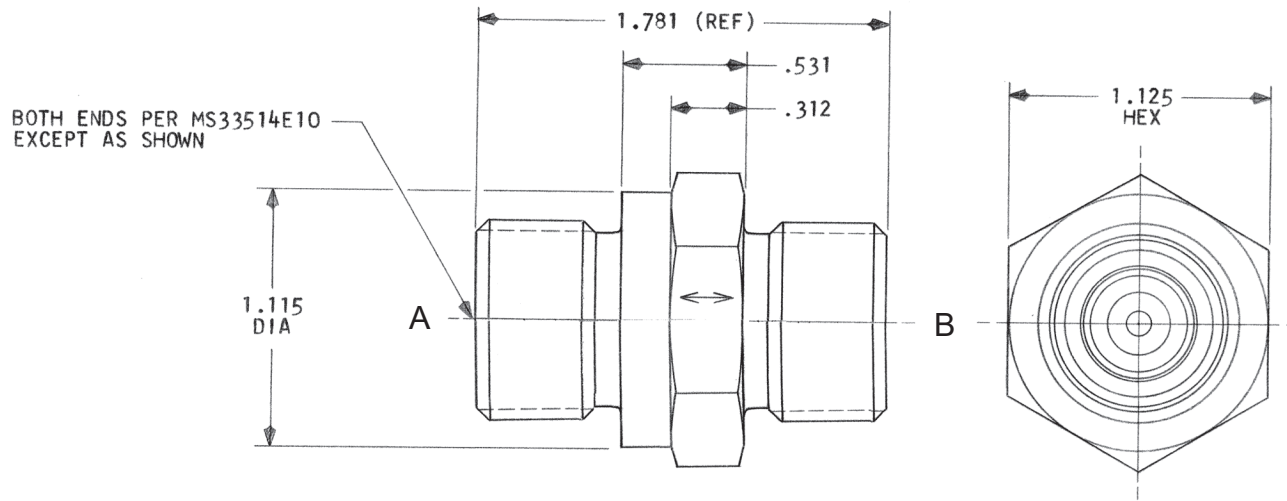
HYDRAULIC SCHEMATIC



CATEGORY 3: TWO-WAY RESTRICTOR VALVES UNFILTERED



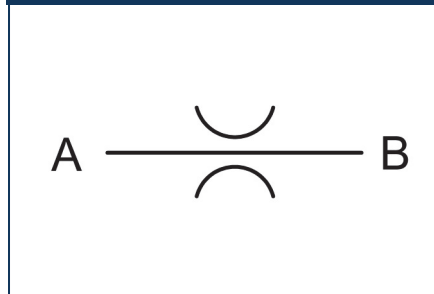
PART NUMBER: 9R3212 RESTRICTOR VALVE, TWO-WAY, UNFILTERED



PERFORMANCE SPECIFICATIONS:

FLUIDS: ANY AIRCRAFT FLUIDS OR AIR
 MATERIAL: BODY 15-5PH CRES
 TEMPERATURE RANGE: -65°F TO 275°F
 OPERATING PRESSURE: 3000 PSIG
 PROOF PRESSURE: 4500 PSIG
 FLOW: SEE TAB BLOCK

HYDRAULIC SCHEMATIC

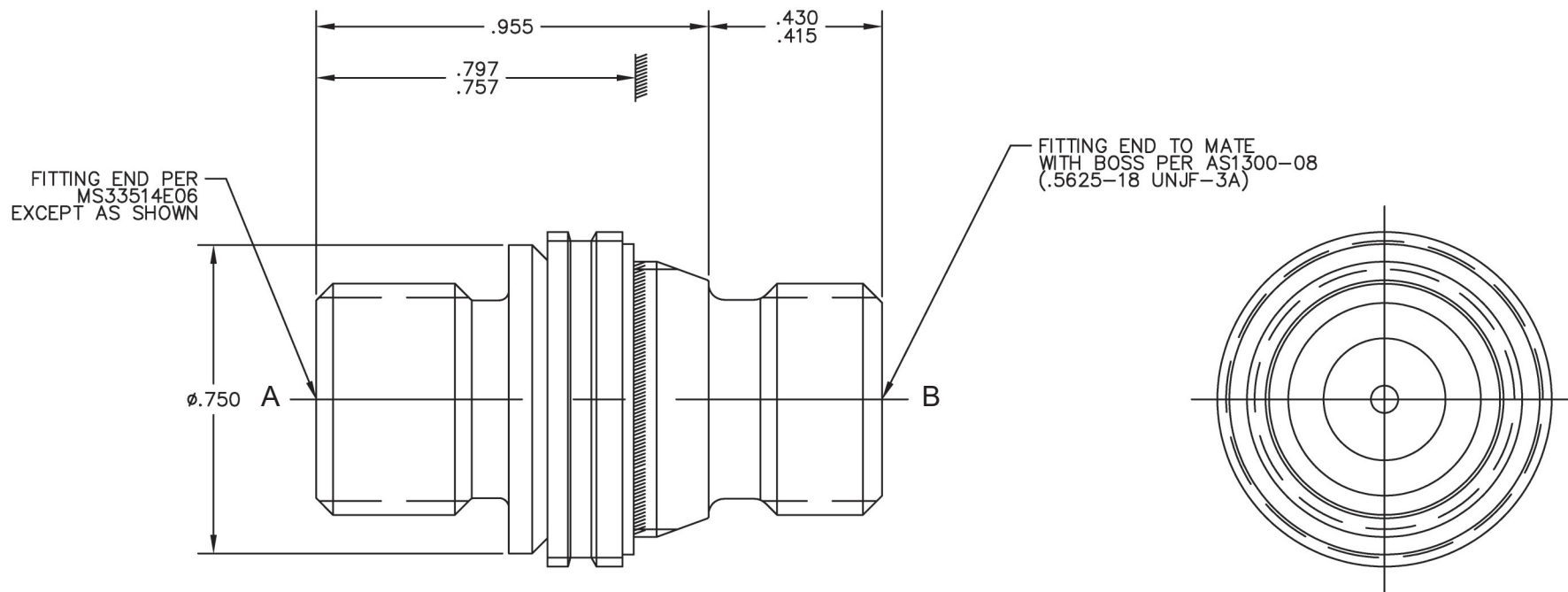


CRISSAIR PART NO.	FLOW (GPM)	PRESS. ΔP (PSID)	ORIFICE DIA (REF)
9R3212	14.23 ± 1.4	3000	.119
9R3212-1	13.37 ± 1.3	3000	.114
9R3212-2	7.11 ± .71	3000	.083
9R3212-3	18.49 ± 1.8	3000	.135
9R3212-4	10.24 ± 1.0	3000	.101

CATEGORY 3: TWO-WAY RESTRICTOR VALVES UNFILTERED



PART NUMBER: 9R3732 RESTRICTOR VALVE, TWO-WAY, UNFILTERED



PERFORMANCE SPECIFICATIONS:

FLUIDS: ANY AIRCRAFT FLUIDS OR AIR

MATERIAL: BODY 15-5PH CRES

LOCKRING A-286 CRES

TEMPERATURE RANGE: -65°F TO 275°F

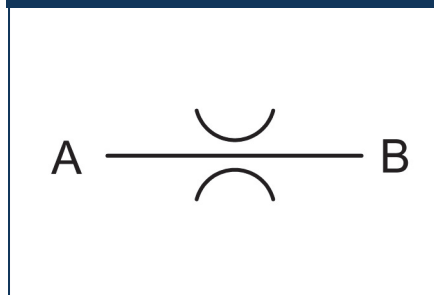
OPERATING PRESSURE: 3000 PSIG

PROOF PRESSURE: 4500 PSIG

FLOW: 2.5 GPM \pm 5% AT 800 PSID ($\phi.067$)

WEIGHT: 0.091 LBS MAX

HYDRAULIC SCHEMATIC

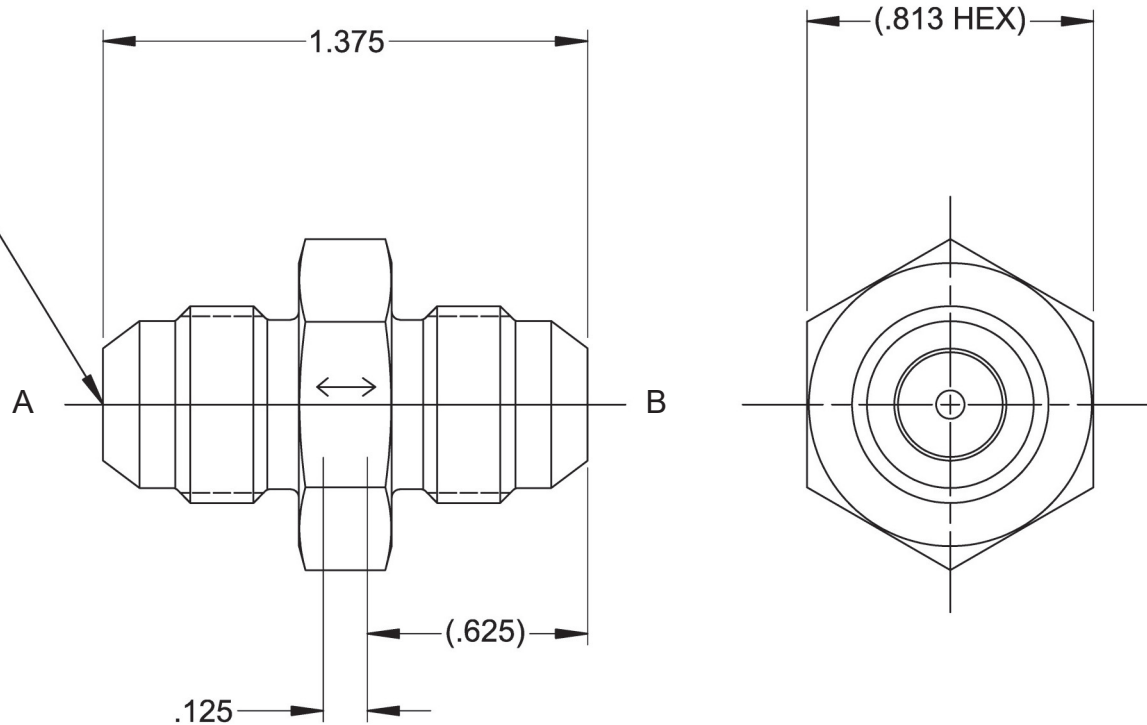


CATEGORY 3: TWO-WAY RESTRICTOR VALVES UNFILTERED



PART NUMBER: 9R4020 RESTRICTOR VALVE, TWO-WAY, UNFILTERED

BOTH FITTING ENDS
PER AS4395E06
EXCEPT AS SHOWN



PERFORMANCE SPECIFICATIONS:

FLUIDS: ANY AIRCRAFT FLUIDS OR AIR

MATERIAL: BODY 7075-T73 AL

TEMPERATURE RANGE: -65°F TO 275°F

OPERATING PRESSURE: 3000 PSIG

PROOF PRESSURE: 4500 PSIG

FLOW: 2.4 TO 2.6 GPM AT 350 TO 400 PSID

WEIGHT: 0.031 LBS MAX

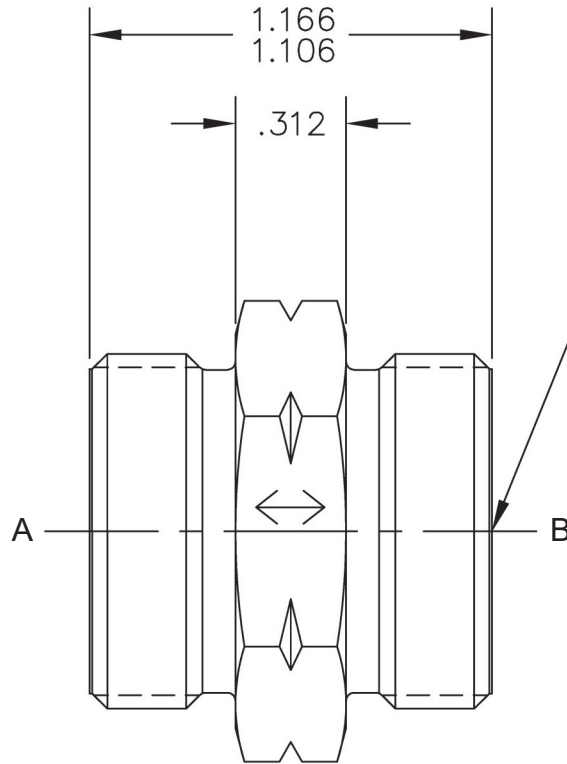
HYDRAULIC SCHEMATIC



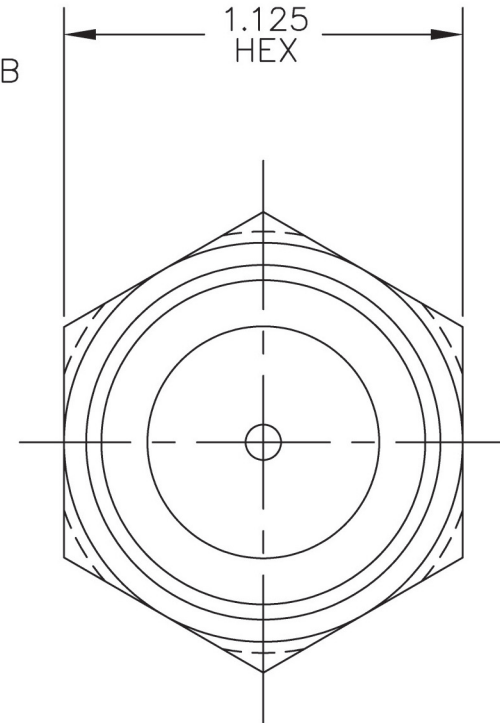
CATEGORY 3: TWO-WAY RESTRICTOR VALVES UNFILTERED



PART NUMBER: 9R3626 RESTRICTOR VALVE, TWO-WAY, UNFILTERED



BOTH FITTING ENDS
PER 6M154-12 TYPE B



PERFORMANCE SPECIFICATIONS:

FLUIDS: ANY AIRCRAFT FLUIDS OR AIR

MATERIAL: BODY 6AL-4V TI

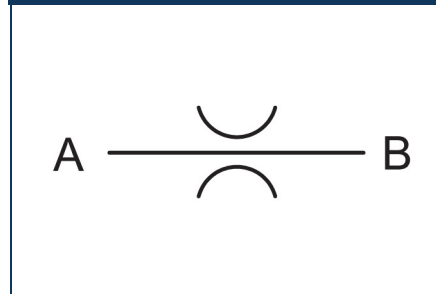
TEMPERATURE RANGE: -40°F TO 160°F

OPERATING PRESSURE: 180 PSIG

PROOF PRESSURE: 270 PSIG

FLOW: SEE TAB BLOCK

HYDRAULIC SCHEMATIC

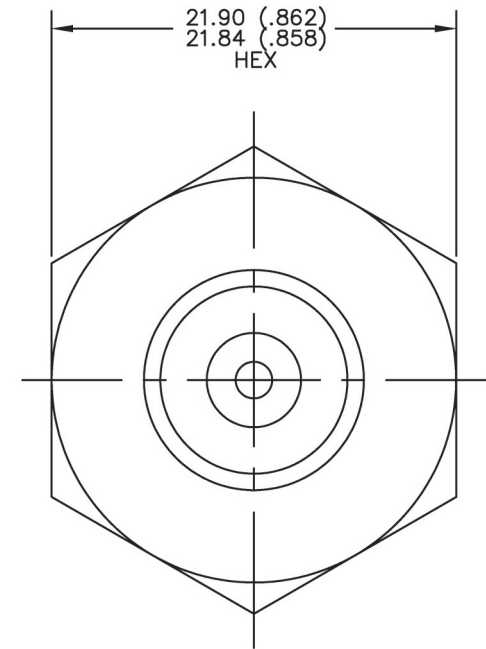
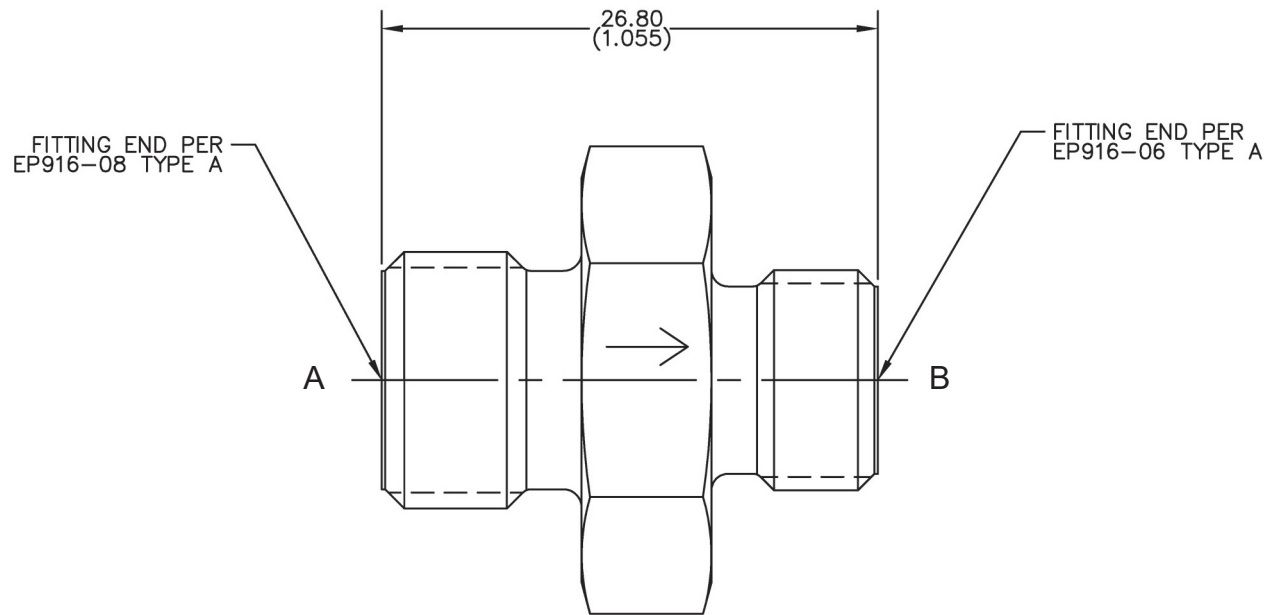


CRISSAIR PART NO.	FLOW (GPM)	PRESS. ΔP (PSID)	ORIFICE DIA (REF)
9R3626-1	5 + 5%	68.7	.160
9R3626-2	-	-	.067 .062
9R3626-3	5.00 ± 0.13	23.0	.200
9R3626-4	6.34 ± 0.13	28.2	.180

CATEGORY 3: TWO-WAY RESTRICTOR VALVES UNFILTERED



PART NUMBER: 9R3608 RESTRICTOR VALVE, TWO-WAY, UNFILTERED



PERFORMANCE SPECIFICATIONS:

FLUIDS: ANY AIRCRAFT FLUIDS OR AIR

MATERIAL: BODY 6AL-4V T1

TEMPERATURE RANGE: -40°F TO 275°F

OPERATING PRESSURE: 4000 PSIG

PROOF PRESSURE: 8000 PSIG

FLOW: 4.75 GPM AT 1349 PSID (Ø.078 ORIFICE)

HYDRAULIC SCHEMATIC



CATEGORY 3: TWO-WAY RESTRICTOR VALVES UNFILTERED



CRISSAIR HAS VARIOUS OTHER RESTRICTOR VALVES NOT LISTED IN THE CATALOG WITH DIFFERENT MATERIALS, FITTINGS, AND SIZE CONFIGURATIONS.

CONTACT CRISSAIR FOR ADDITIONAL INFORMATION/DRAWINGS AT

(661) 367-3300 OR SALES@CRISSAIR.COM.

YOU CAN ALSO VISIT WWW.CRISSAIR.COM.